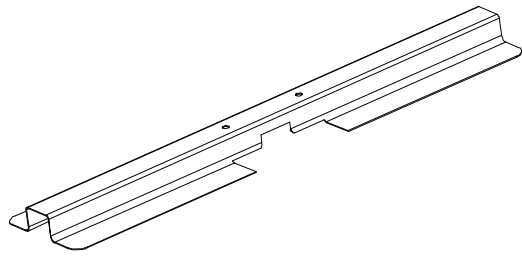
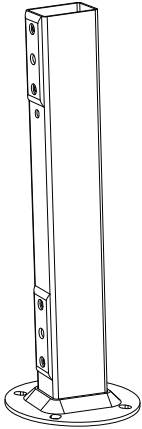


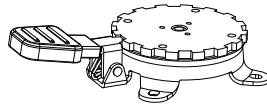
Ax1



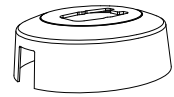
Bx1



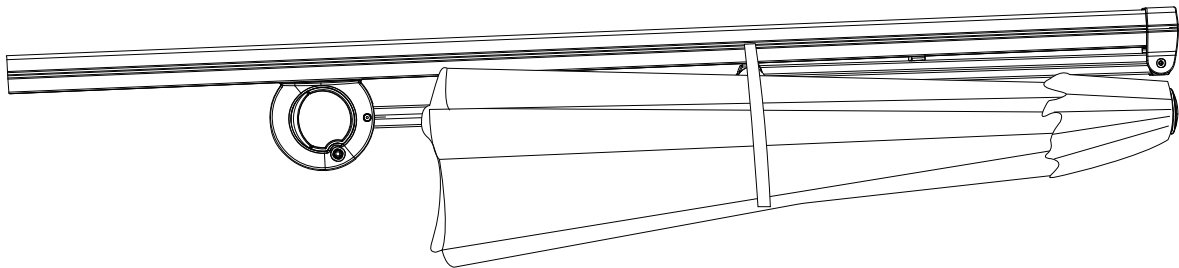
Cx1



Dx1



Ex1



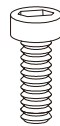
Fx1



Gx1



Hx1



Ix8

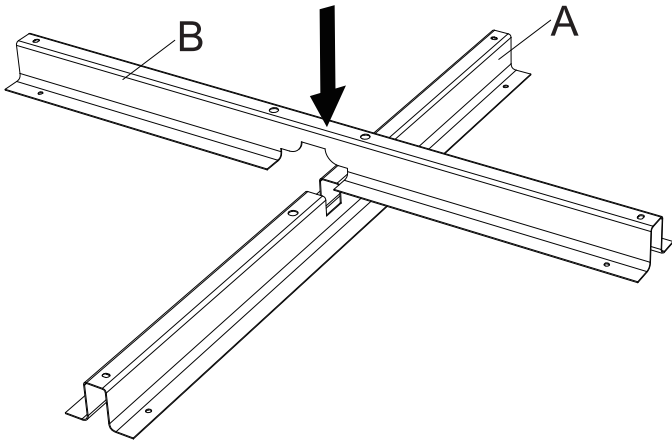


Jx8

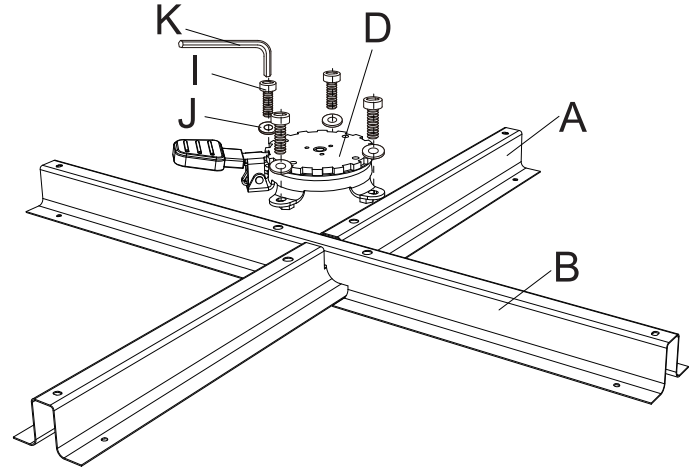


Kx1

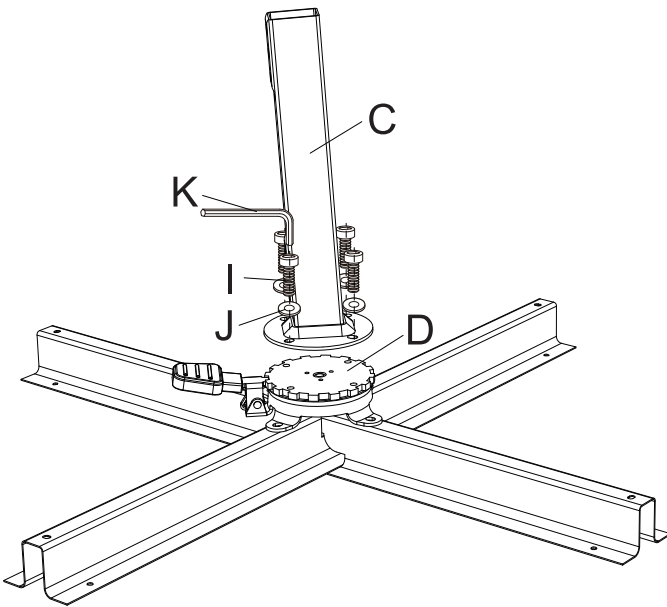
1



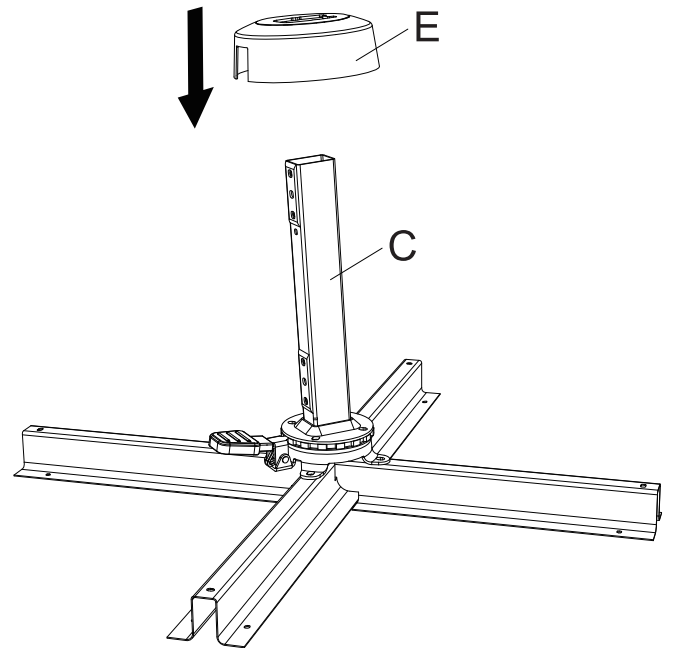
2



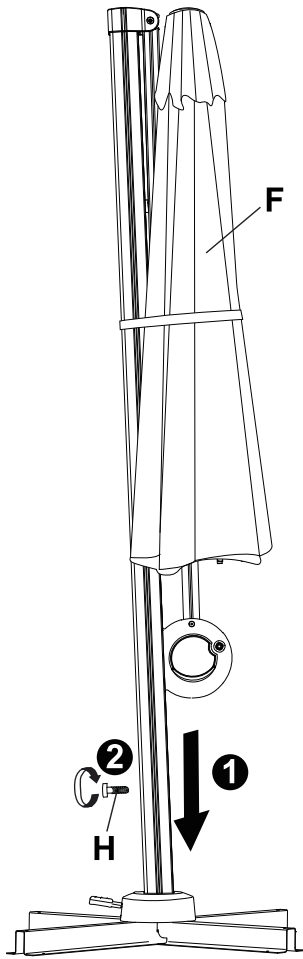
3



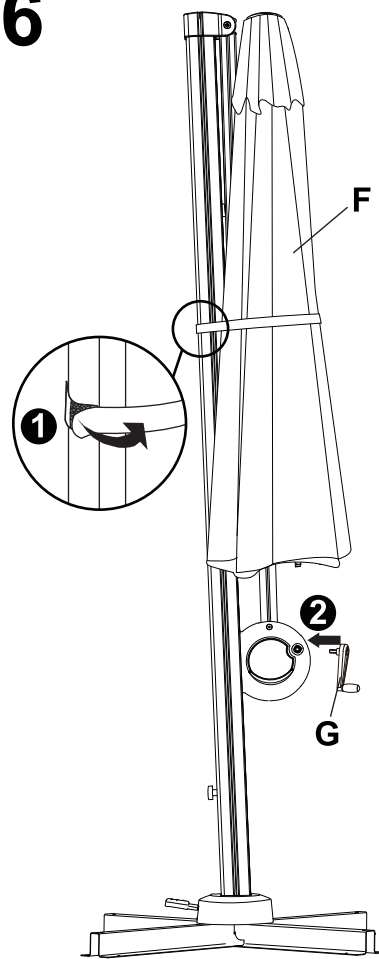
4



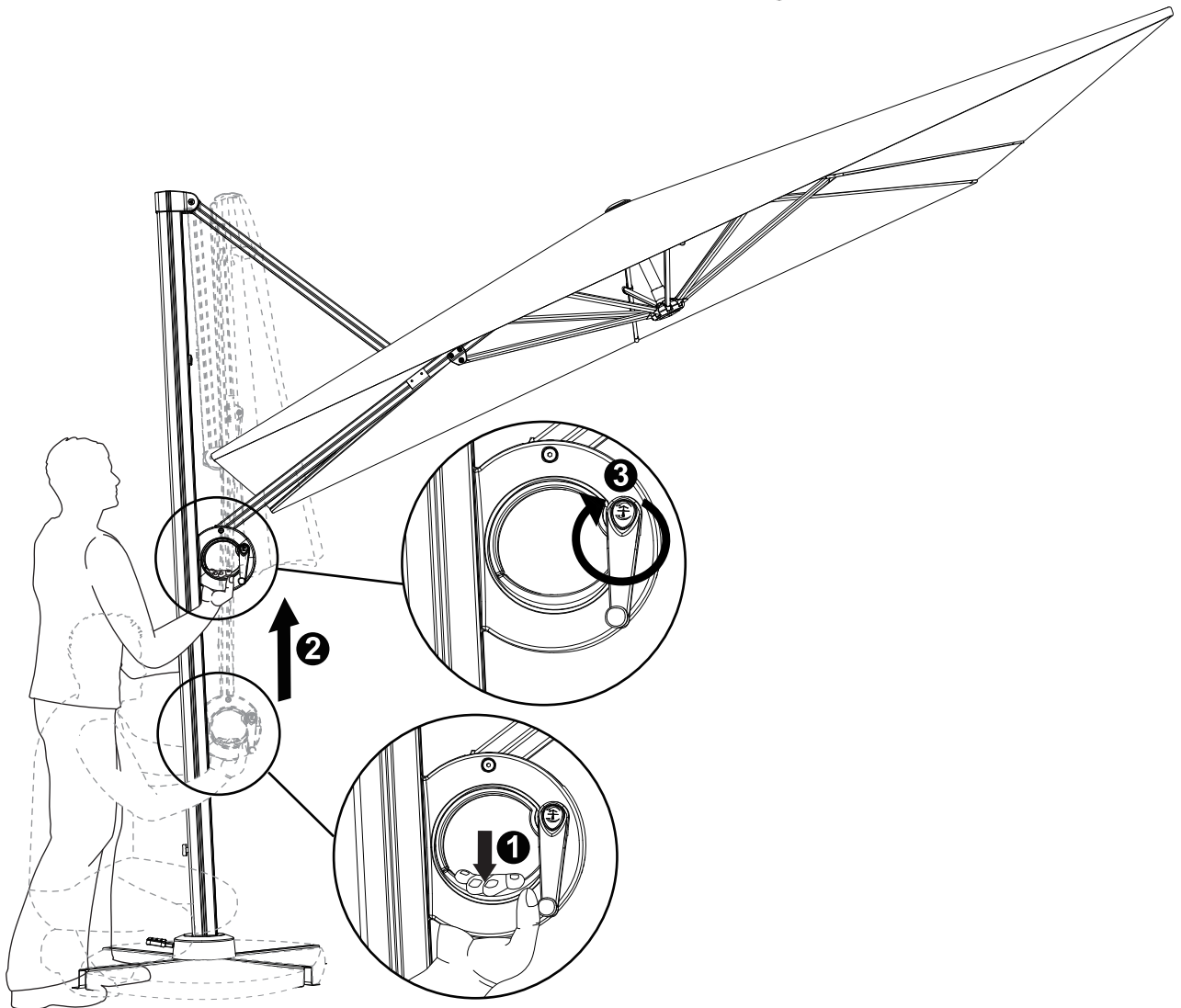
5



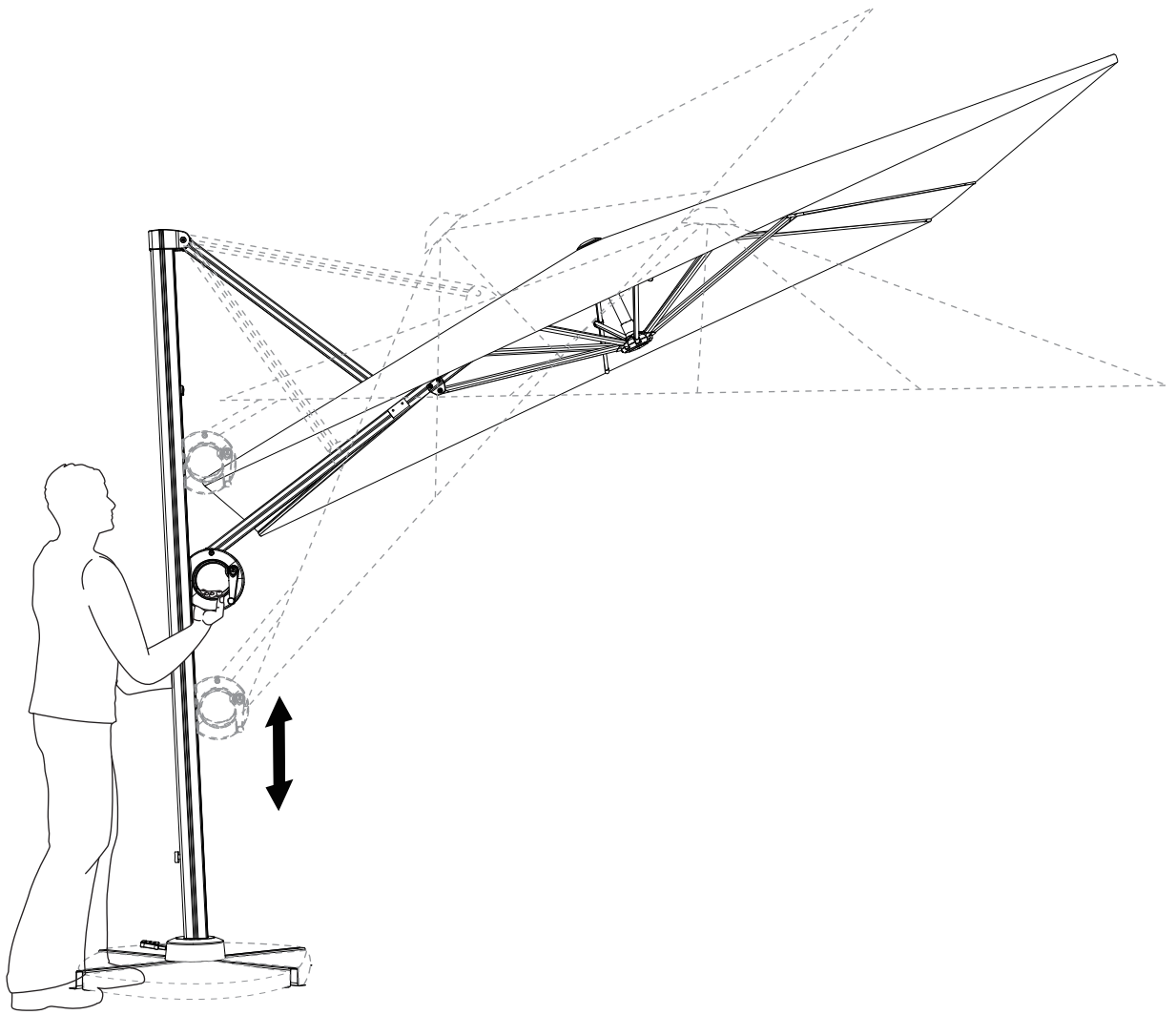
6



7



8



9

