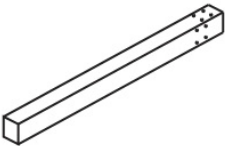



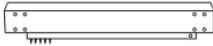
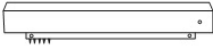






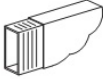
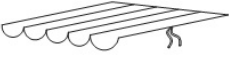

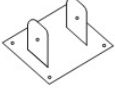

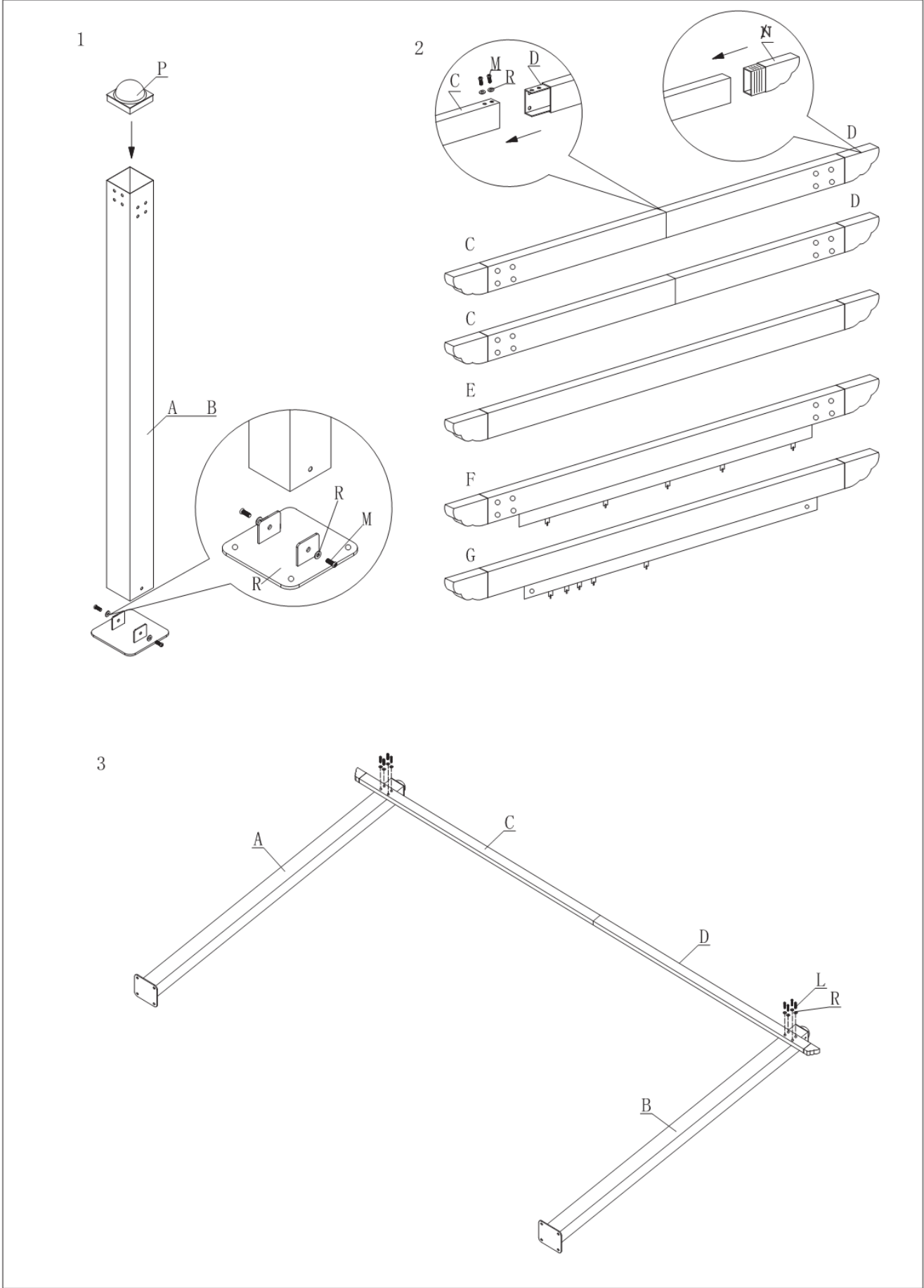
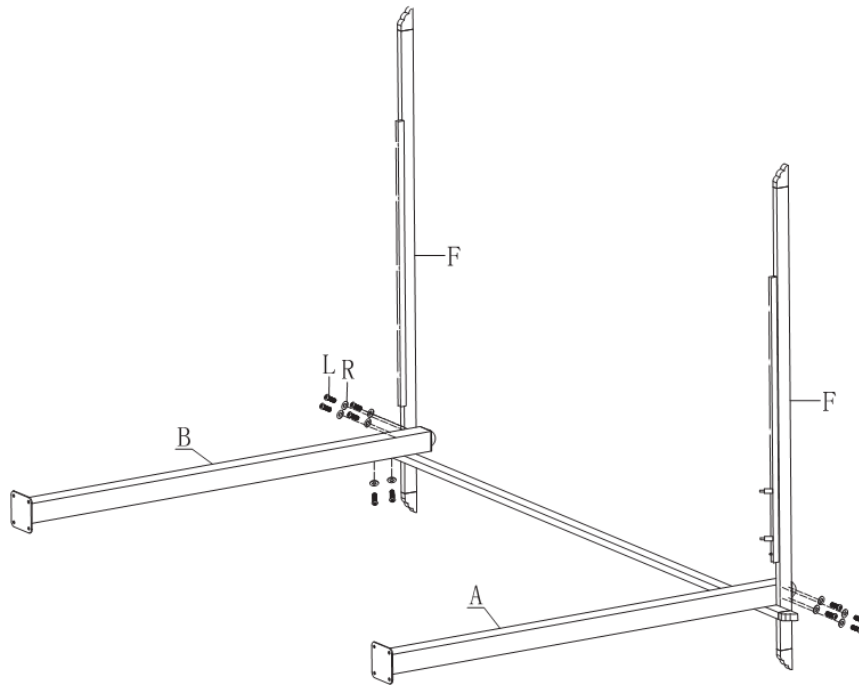
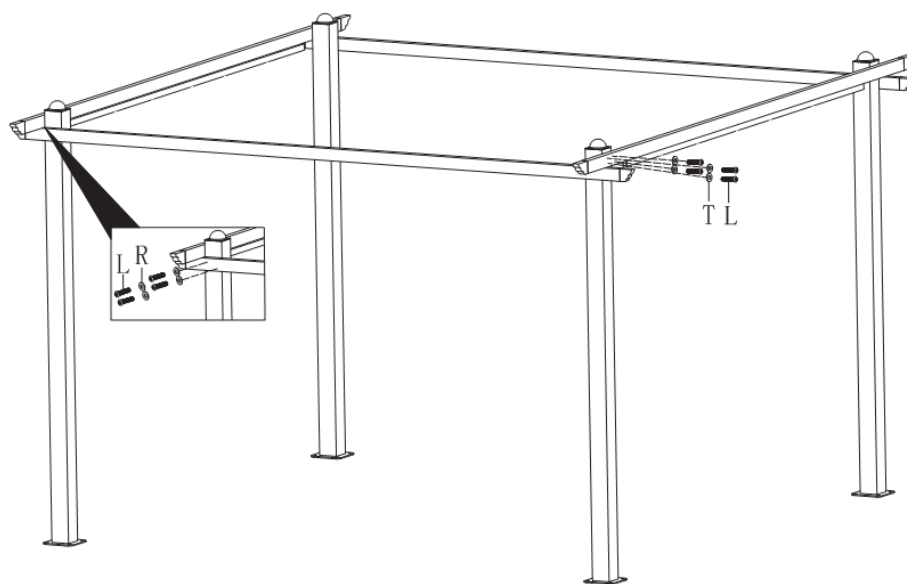
 A=2x	 B=2x	 C=2x	 D=2x
 E=2x	 F=2x	 G=1x	 H=6x
 I=5x	 J=1x	M6*70mm  K=6x	M6*45mm  L=32x
M6*12mm  M=16x	 N=14x	 O=1x	 P= 4 x
 Q=4x	$\varnothing=6\text{mm}$  R=54x		



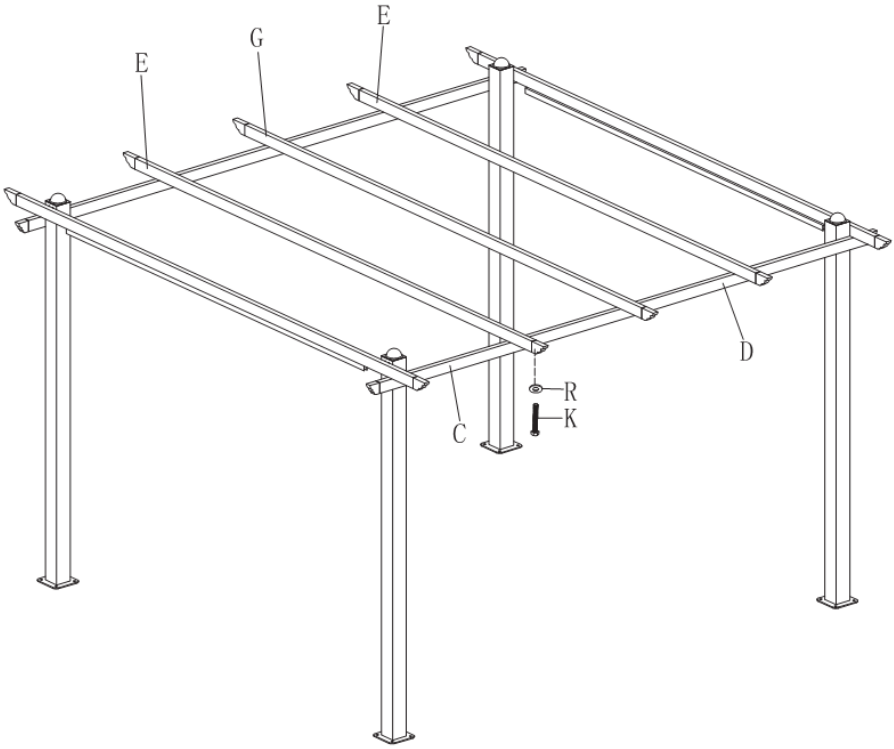
4



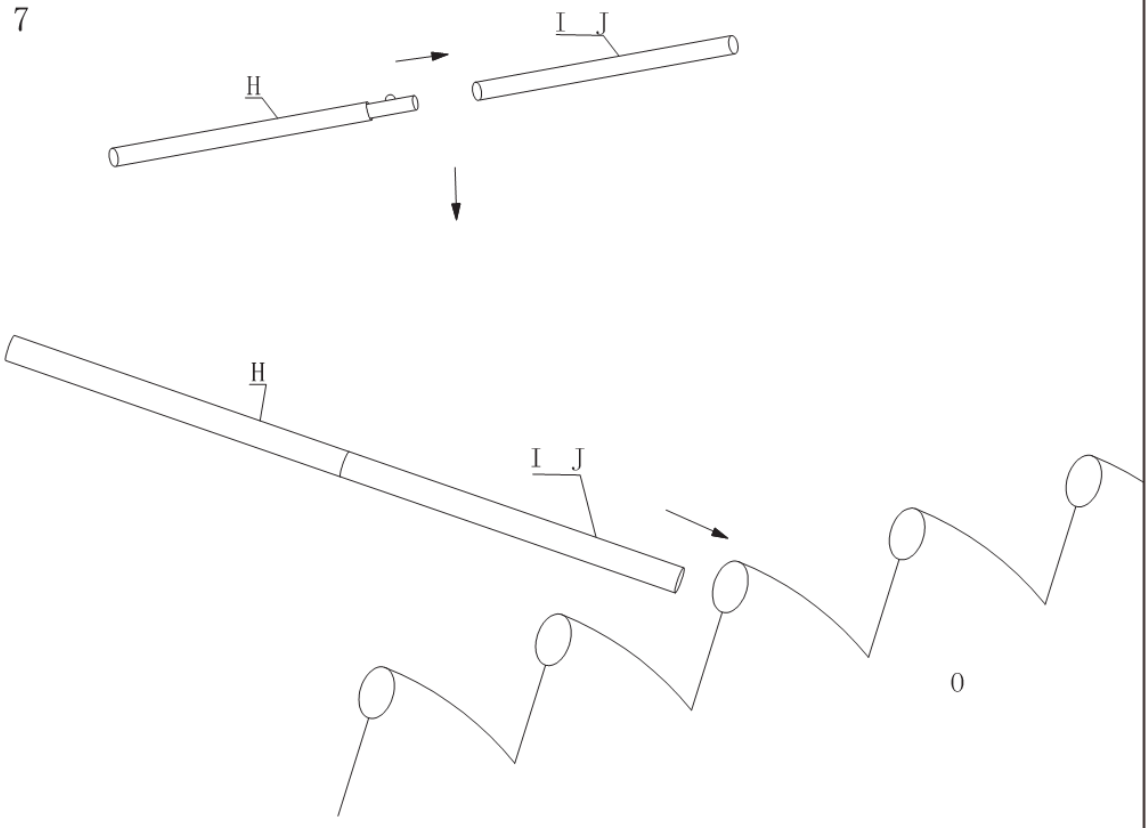
5



6



7



8

