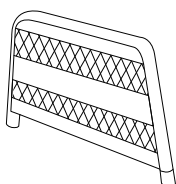
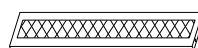


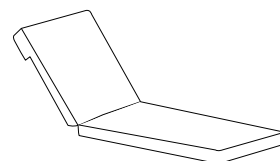
Ax1



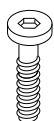
Bx1



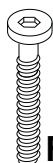
Cx1



Dx1



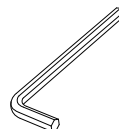
Ex4



Fx8

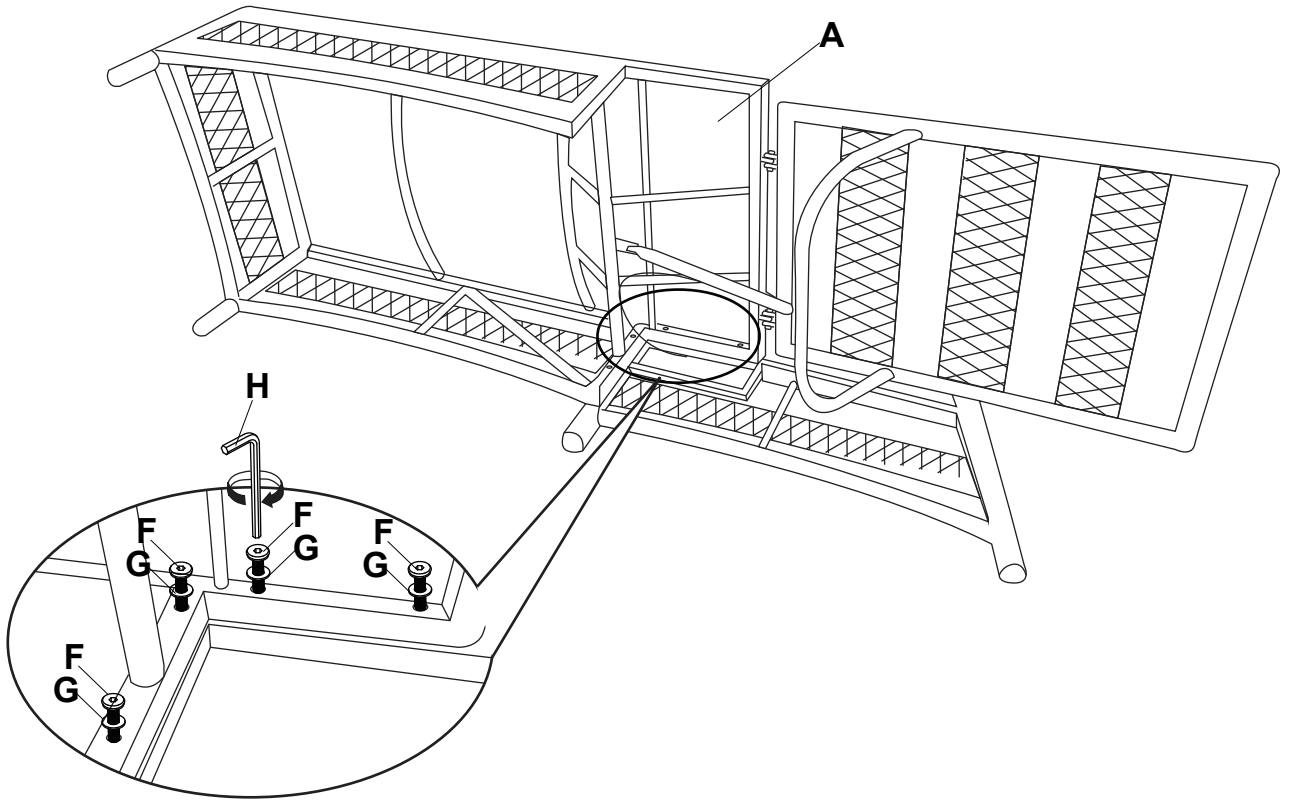


Gx12

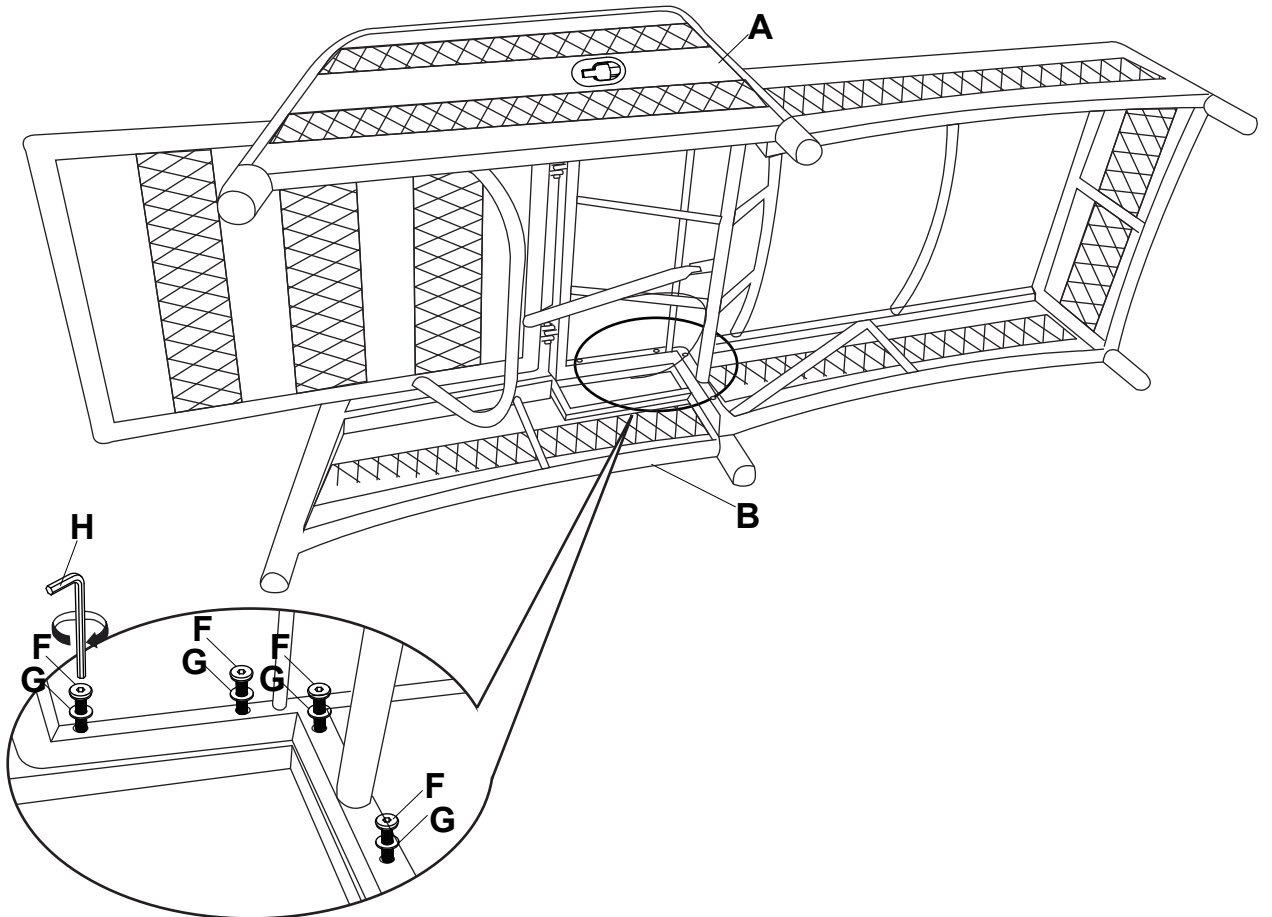


Hx1

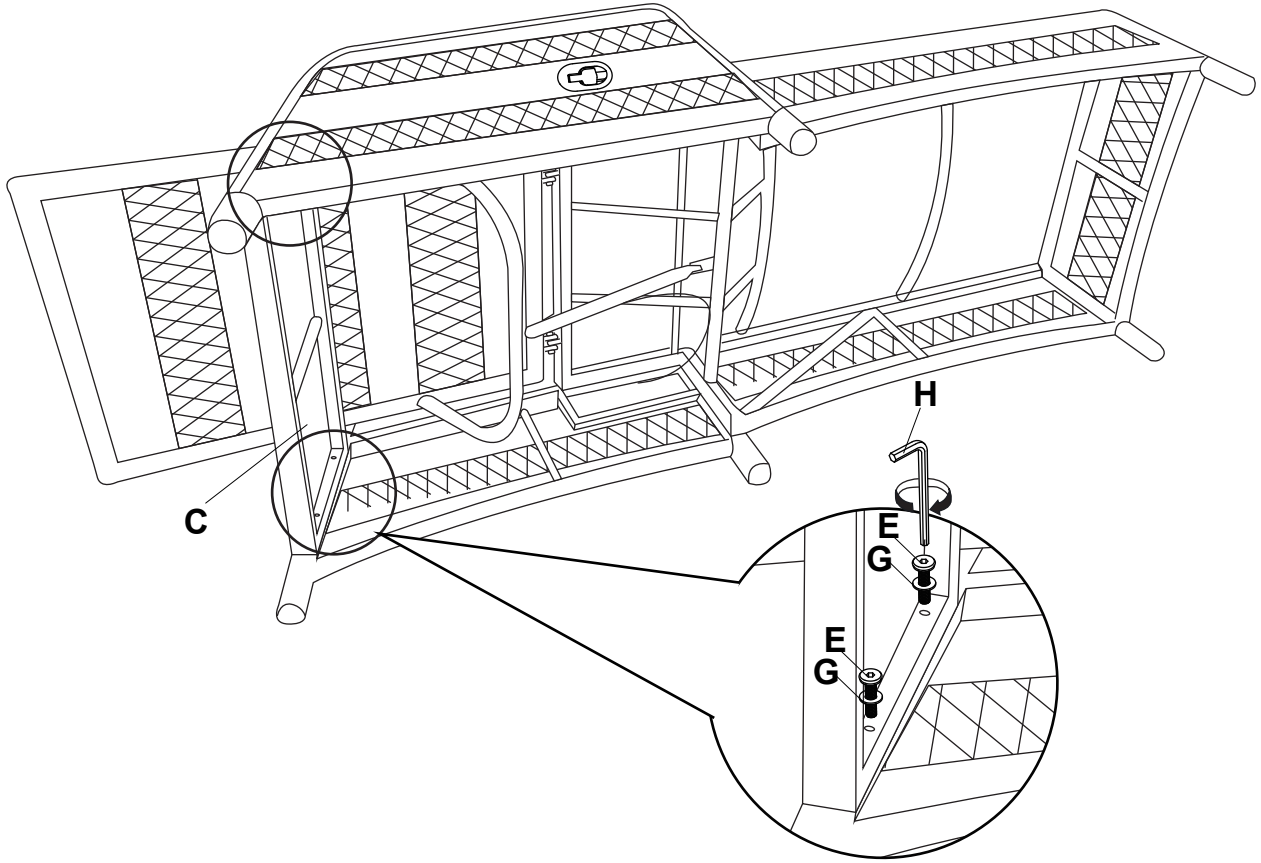
1



2



3



4

